

**Standard Construction and Materials**

**FRAME:** .081" thick (nominal) extruded aluminum, 6063-T52/T6 alloy.

**BLADE:** .081" thick (nominal) extruded aluminum, 6063-T52/T6 alloy.  
Blades approximately 5" on centers.

**LOUVER FACE:** Full width sill, with blades and head contained in jambs.

**SCREEN:** (When indicated.)

- 1/2" flattened aluminum (.051" thick),
- or- 1/2" sq. mesh, intermediate double-crimped aluminum wire, .063" dia.,
- or- 19/16 mesh, .011" dia. aluminum wire, insect screen.

**FINISH:** Mill

**Options**

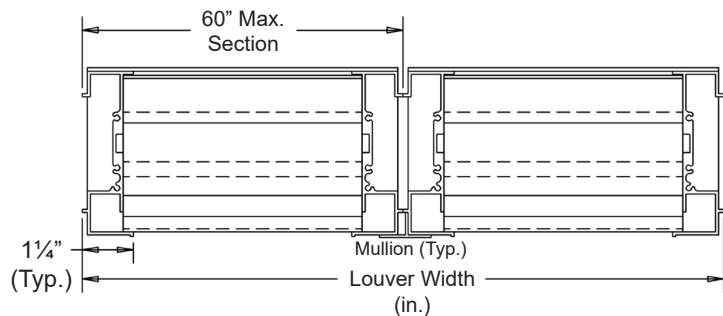
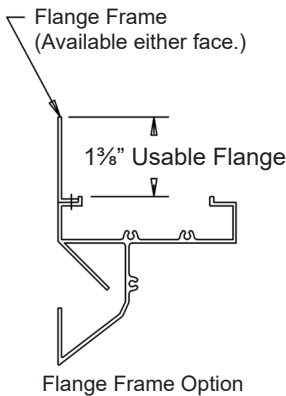
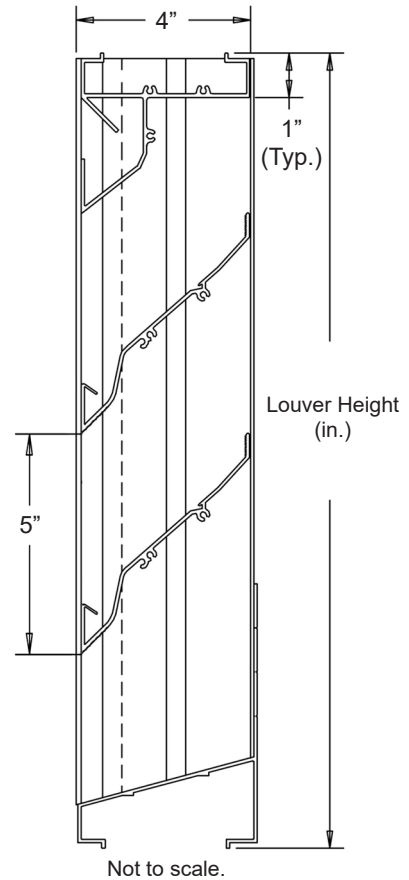
Finish - Baked Enamel, Kynar, Anodize

**Notes**

1. Nominal deductions will be made to the opening size given.
2. Louvers larger than the maximum factory assembled size will require field assembly of smaller louver sections.
3. Approximate shipping weight is 4.5 lbs./sq.ft.

**Louver Sizes**

Min Panel	Max Single Panel
12"W x 12"H	40 sq. ft.



Item #	Qty	Width	Height	Width	Height	Mullion	Type	Location	Union Made
		Opening Size		Louver Size			Screens		
Arch. / Eng.:		EDR:		ECN:		Job:			
Contractor:		Date:		DWN:		DWG:			

In the interest of product development, Cesco Products reserves the right to make changes without notice.

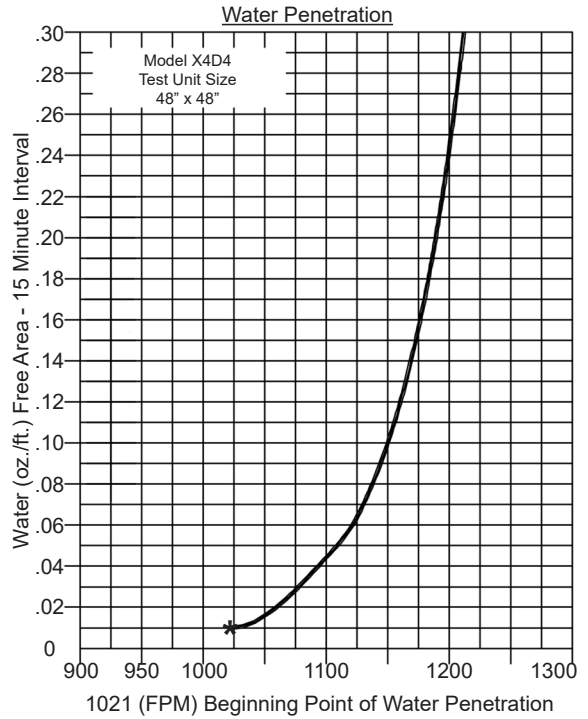
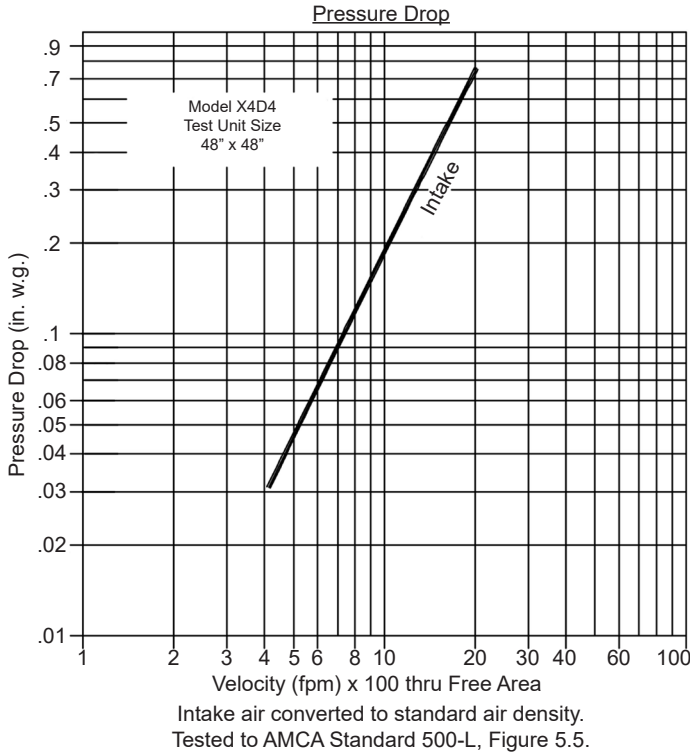


450 Riverside Dr • Wyalusing PA, 18853  
Phone: 570-746-1888 • Fax: 570-746-9286  
www.cescoproducts.com

**Performance Data**

Pressure Drop: .19 in. w.g. at 1000 fpm (intake)  
 Free Area: 8.16 sq.ft. = 51% for 48"W x 48"H sample tested in accordance with AMCA Standard 500-L.  
 Beginning Point of Water Penetration: 1021 fpm

Ratings do not include effects of a screen.



		Free Area (sq.ft.)									
		Width (in.)									
		12"	24"	36"	48"	60"	72"	84"	96"	108"	120"
Height (in.)	12"	.25	.56	.87	1.19	1.50	1.75	2.06	2.37	2.68	3.00
	24"	.74	1.68	2.62	3.55	4.49	5.23	6.17	7.11	8.05	8.98
	36"	1.20	2.72	4.24	5.75	7.27	8.47	9.99	11.51	13.03	14.54
	48"	1.67	3.79	5.90	8.16	10.12	11.80	13.91	16.02	18.13	20.25
	60"	2.15	4.87	7.59	10.31	13.03	15.18	17.90	20.62	23.34	26.06
	72"	2.61	5.92	9.22	12.52	15.83	18.44	21.75	25.05	28.35	31.65
	84"	3.11	7.04	10.97	14.89	18.82	21.93	25.86	29.79	33.71	37.64
	96"	3.57	8.08	12.58	17.09	21.60	25.17	29.68	34.18	38.69	43.20
	108"	4.04	9.14	14.25	19.35	24.45	28.49	33.60	38.70	43.80	48.90
	120"	4.52	10.23	15.94	21.65	27.36	31.88	37.59	43.30	49.01	54.71



Cesco Products certifies that the Model X4D4 shown herein is licensed to bear the AMCA Seal. The ratings shown are based on tests and procedures performed in accordance with AMCA Publication 511 and comply with the requirements of the AMCA Certified Ratings Program. The AMCA Certified Ratings Seal applies to Water Penetration and Air Performance ratings only.